

Marine & RV Battery

100Ah | 200Ah | 300Ah



RV



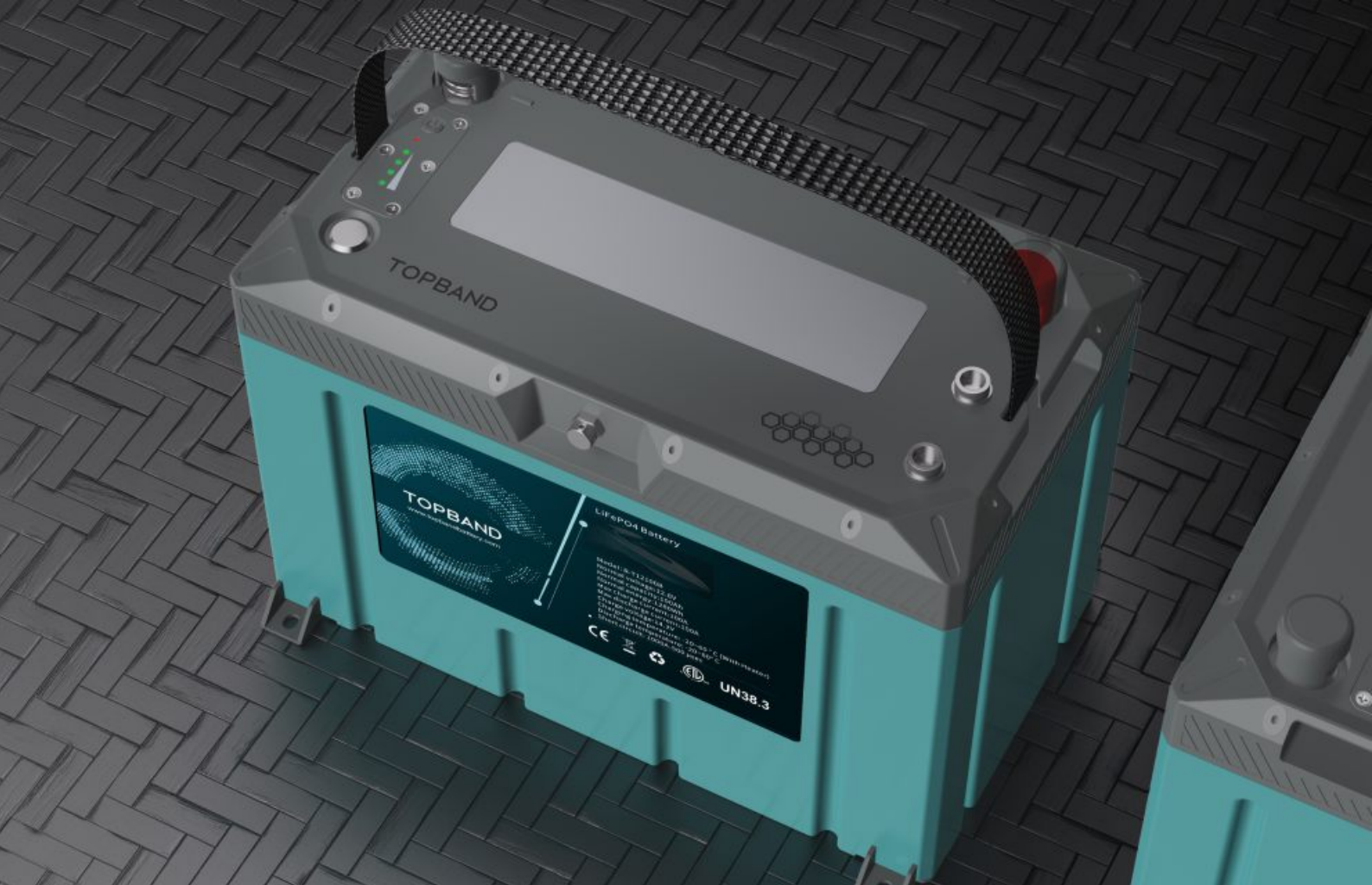
Fishing boat



Marine

T-Premium





FEATURES

Reliable

- Pack certification: UN38.UL1973, IEC62619, CE, E-mark
Cell certification: UN38.3, UL1973, UL9540A, IEC62133.
- Waterproof IP67, with safety valve.
- Insulated enclosure to prevent short circuit.

Flexible

- Support up to 4 batteries in series to form a 48V system.
- Support 4 batteries in series and parallel at the same time.
- Up to 16 batteries can be connected in parallel to form a 12V1,600Ah system.

Safety

- Independent charge and discharge protection.
- Intelligent BMS management, with high and low voltage, high and low temperature, overload and short circuit protection functions, etc.
- Support low temperature heating, can discharge at temperatures down to -20°C (-4°F).

Intelligent

- Support Bluetooth APP, APP support customization.
- Communication mode: CAN/RS485. can be compatible with mainstream inverters.
- On/off switch, LED indicator, check the Soc of the battery.
- Cloud platform OTA, bluetooth upgrade BMS program.

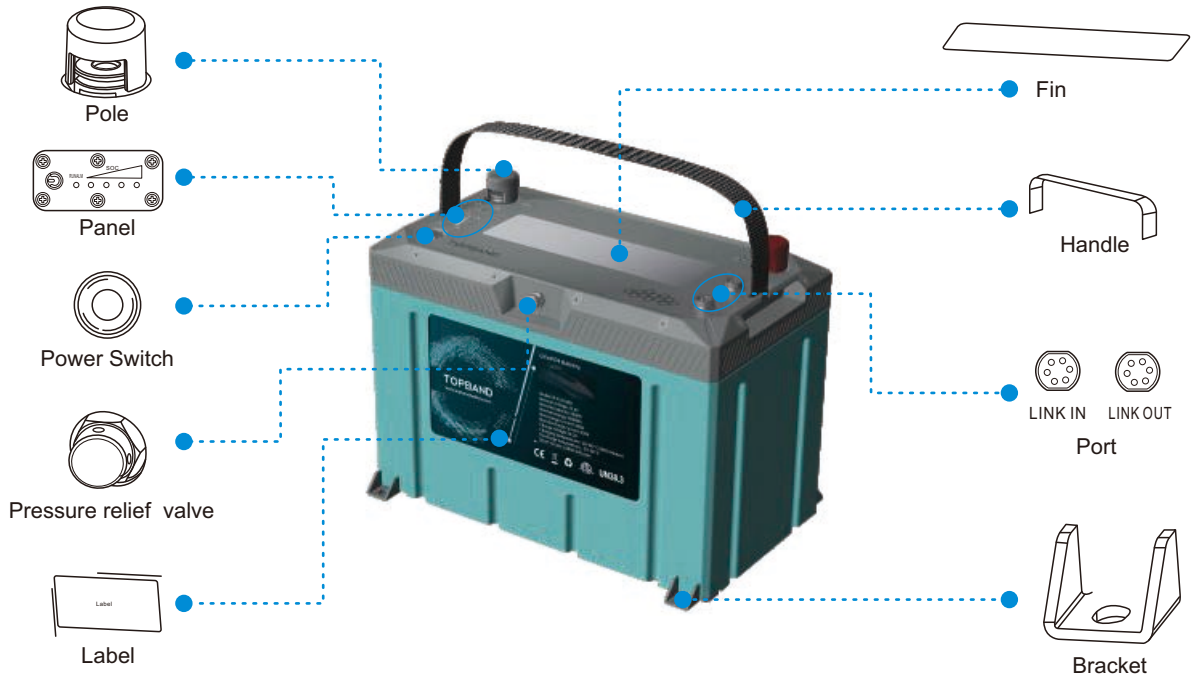
lasting

- Our LiFePO4 battery capacity is over 80% left after 1C charge & discharge under 80% DOD condition for 6000 cycles. The design life is up to 15 years. But the lead-acid battery will only cycle 500 times at 80% DOD.

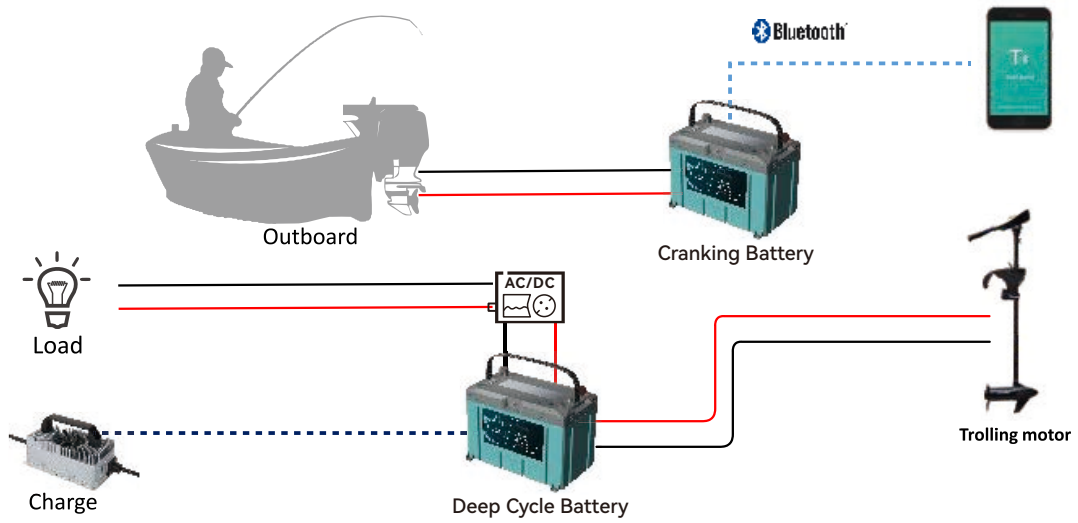


Items	R-T12100B	R-T12200B	R-T12300B
Nominal voltage	12.8V		
Nominal energy@0.2C	1280Wh	2560Wh	3840Wh
Nominal capacity@0.2C	100Ah	200Ah	300Ah
Internal resistance@1khz AC	≤30mΩ		
Allowed MAX. charge current	100A @25°C	200A @25°C	300A @25°C
Allowed MAX. discharge current	150A @25°C	200A @25°C	300A @25°C
Recommend charge current	50A	100A	150A
Recommend discharge current	100A	100A	150A
Peak/Surge current limit	500A@3s	800A@5s	1000A@5s
Short circuit protection	1000A@500μs	1200A@500μs	1200A@500μs
Charge voltage	14.2V		
Floating voltage	13.8V		
End of discharge	11.2V		
Communication	Bluetooth, CAN and RS485		
IP rating	IP67		
Cycle life	≥6000 cycles		
Weight	≈13.5kg (29.7 lbs)	≈22.5kg (49.6 lbs)	≈38kg (90.2 lbs)
Dimension(W*H*D)	308*168*211mm (12.1*6.6*8.3 inch)	485*172*232.5mm (19.0*6.7*9.1 inch)	500*250*230mm (19.6*9.8*9.0 inch)
Parallel and series connection	Support Max. 16 in parallel or Max. 4 in series		
Terminal and torque	M8 bolt 8-10N·M		
Operation altitude	<3000m		
Operation temperature	Charge -20~60°C (-4°F~140°F) , Discharge -20~60°C(-4°F~140°F)		
Self-discharge rate(shutdown)	≤3% Per month		
Storage environment recommend	-10°C~40°C (14°F~104°F)		
Recommend environment	5~75%RH		
Certification	Pack: CE, IEC62619, UL1973, UN38.3, E-mark Cell: UN38.3, UL1973, UL9540A, IEC62133		

EXTERIOR COMPONENT



MARINE SYSTEMS



RV SYSTEMS

